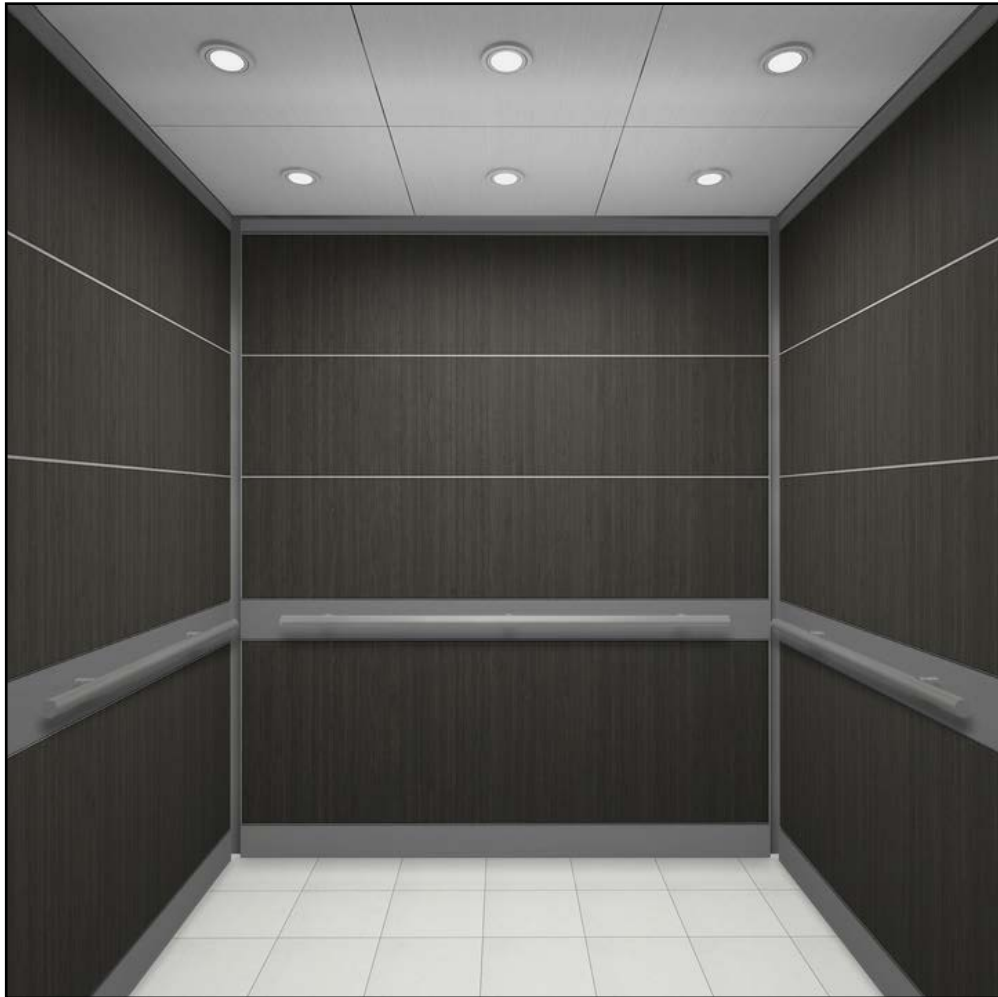


A-LOOK™

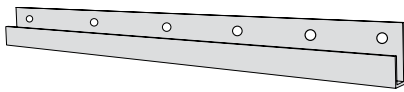
Installation Manual



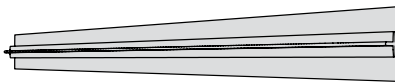
Tools Required

- Pencil
- Measuring Tape
- Drill
- Hack Saw with 12D/32T Blade
- Jigsaw
- Self-Centering Punch
- Framing Square
- 7/16" Wrench
- Ladder
- 2" or 3" Paint Brush for Latex Paint
- Caulking Gun
- Rivet Gun

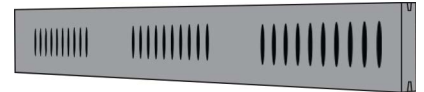
Cab Components To Be Installed



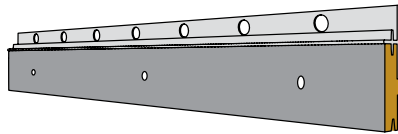
Aluminum "J" shaped starter strip



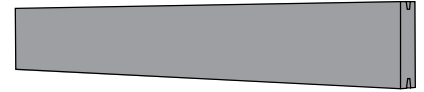
A-Look™ panel interlock



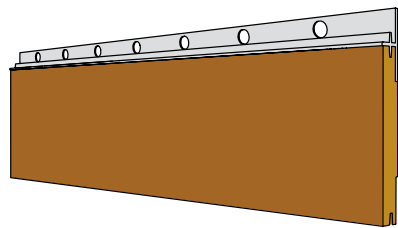
Vented removeable kickplate panel



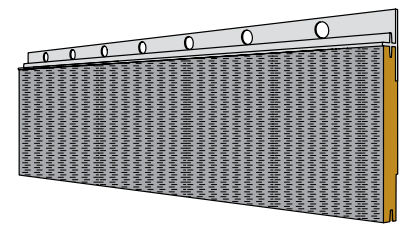
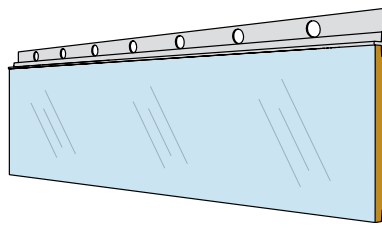
Handrail panel complete with panel and separate handrail



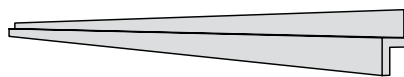
Panel cap, covered with SS#4



Several panels complete with panel interlock, covered in plastic laminate, mirror, or decorative metal



Vertical panel edge of extruded aluminum

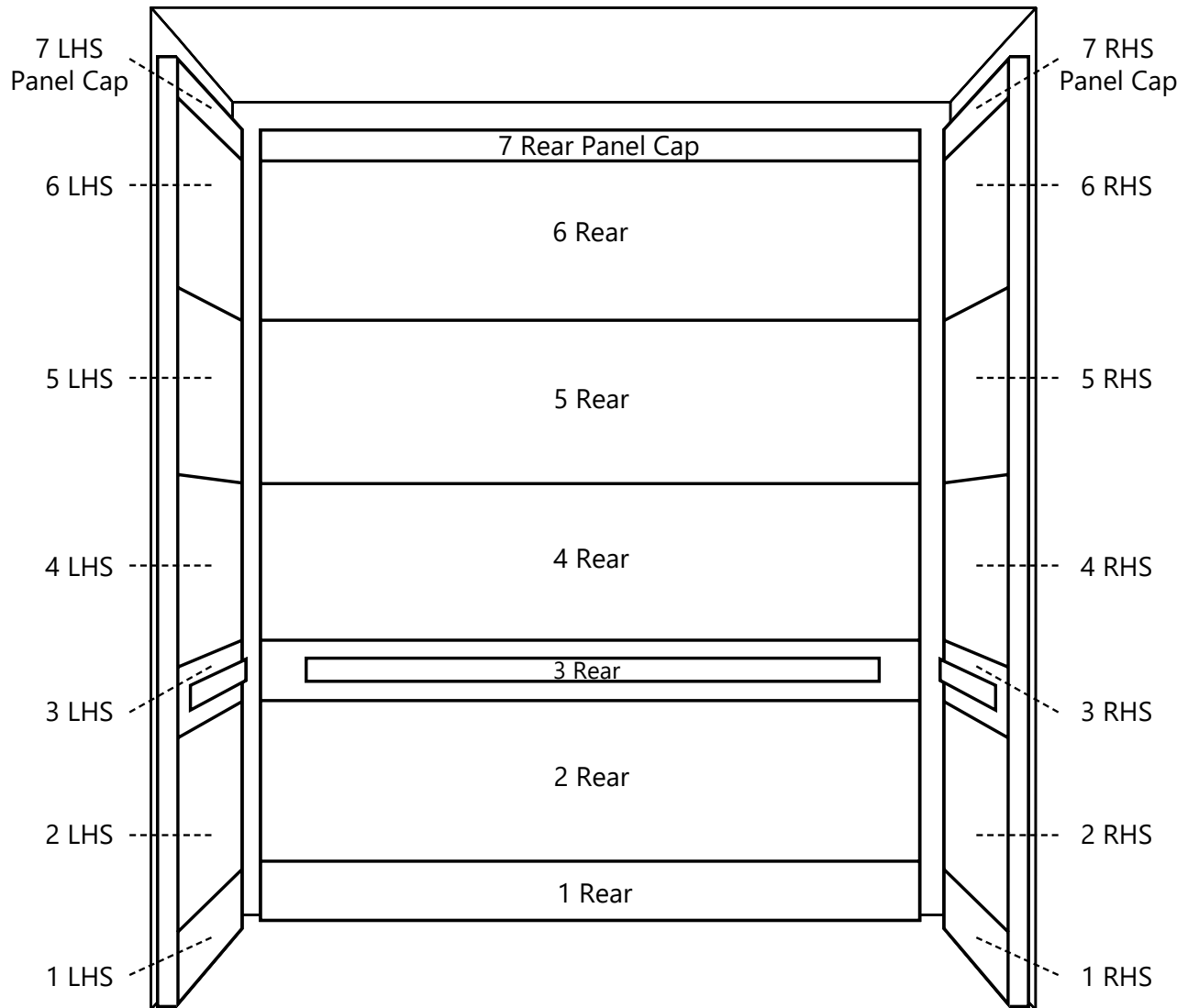


Z-Bar to fasten the panel cap to wall

Pieces are pre-sized to fit their corresponding wall.

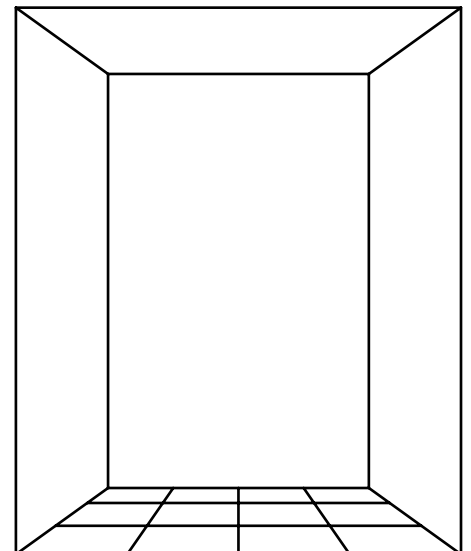
All parts will be marked as illustrated in Component Labeling diagram.

Component Labeling



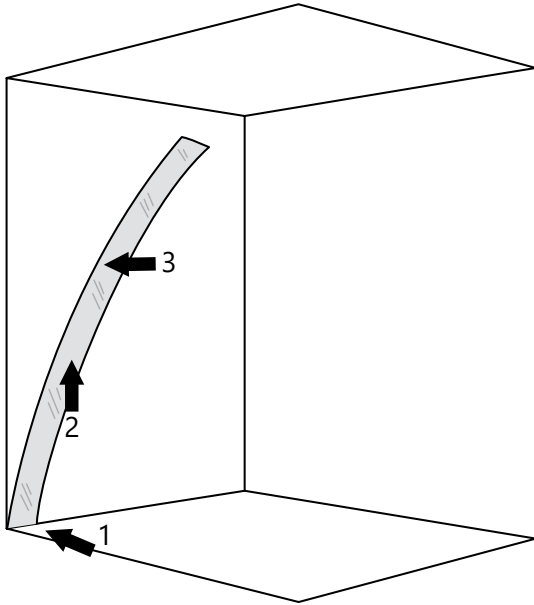
Section 1: Prepare Site for Installation

- Ⓐ Remove all material being replaced from existing cab.
 - Ⓑ Paint the top 6" of all non-access walls with matte black paint (paint not included) OR wait until after vertical reveals are installed (Section 2) to in-fill the area between the vertical pieces.
 - Ⓒ You will be required to paint the perimeter of the canopy 4" in from all sides with matte black latex paint (paint is not included). The remainder of the canopy will not be visible once installed.
- ⚠ If floors are being replaced, remove existing floor and install new flooring **before** installing A-Look™. If floors are not being replaced, use a protective covering to prevent damage.

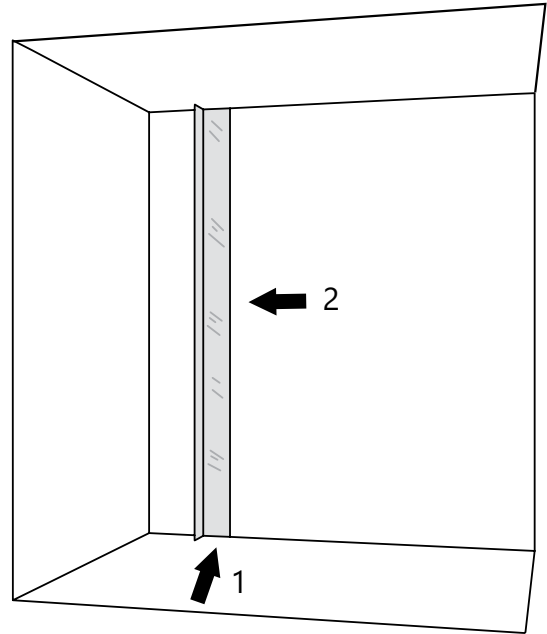


Section 2: Install Corner, Front & Side Reveals

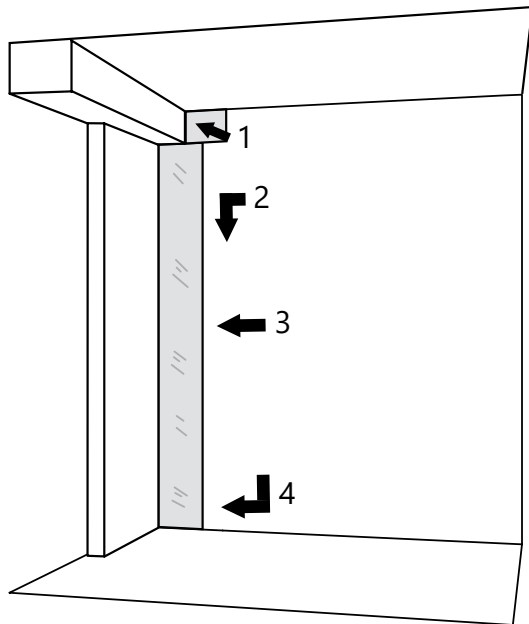
- Ⓐ Install front and corner reveals flush against the floor. They can be up to ¼" short of the canopy.
- Ⓑ Cut any reveals that are too long using either a hacksaw or jigsaw equipped with 32 TPI blade.
- Ⓒ Peel off both strips of double sided tape on the back of the reveals to fasten them onto walls.



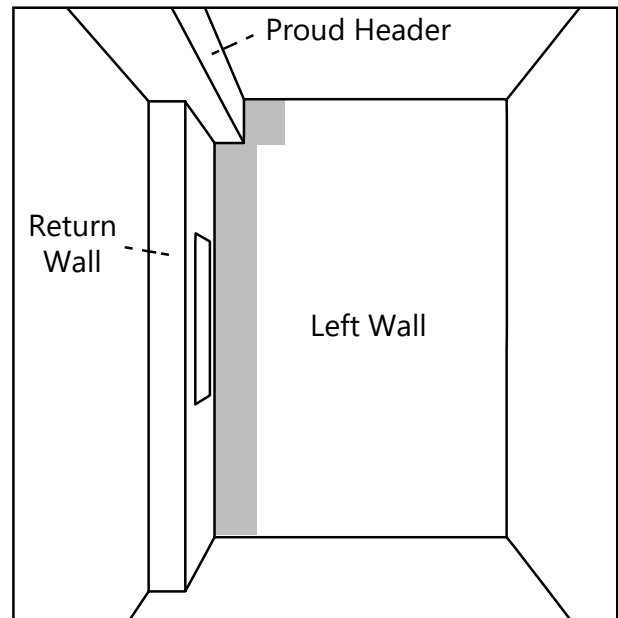
Side reveal installation



Corner reveal installation



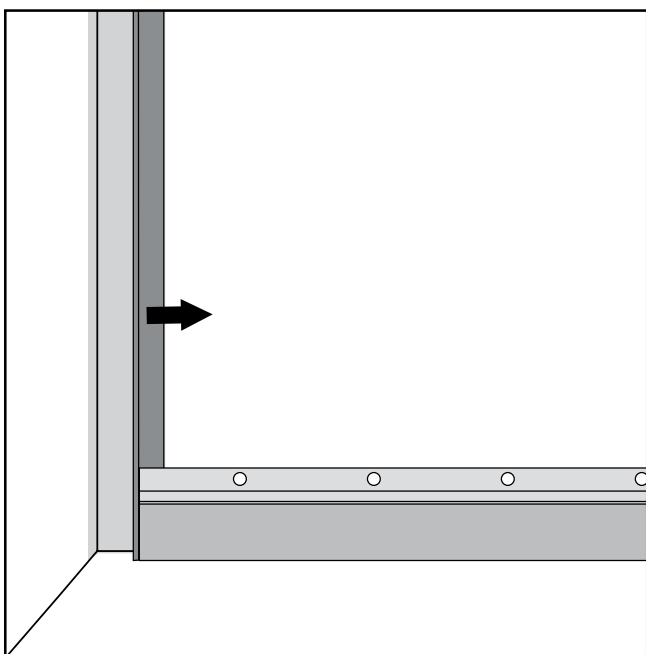
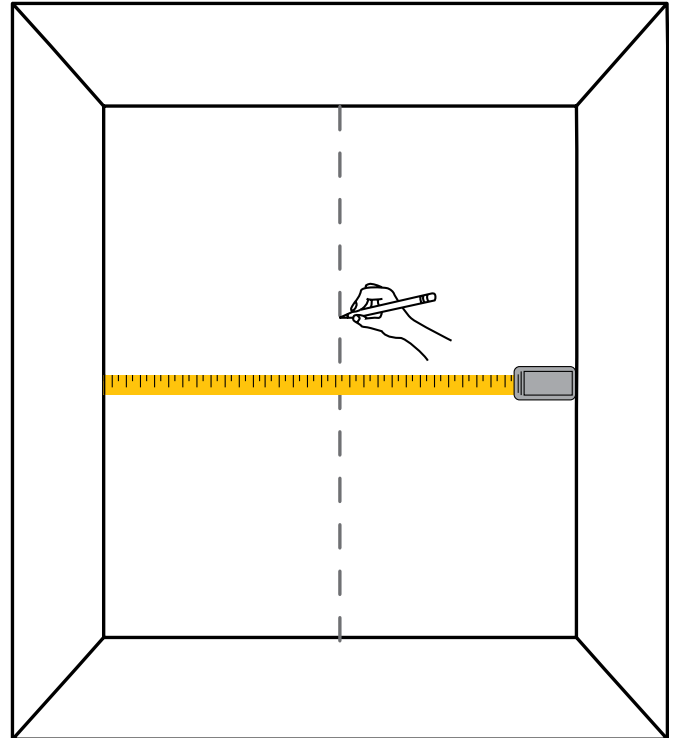
Side reveal installation, split reveal



Where the header of the car is proud of the return below it, the front reveal must either be notched or installed in two pieces.

Section 3: Install A-Look™ Panel System

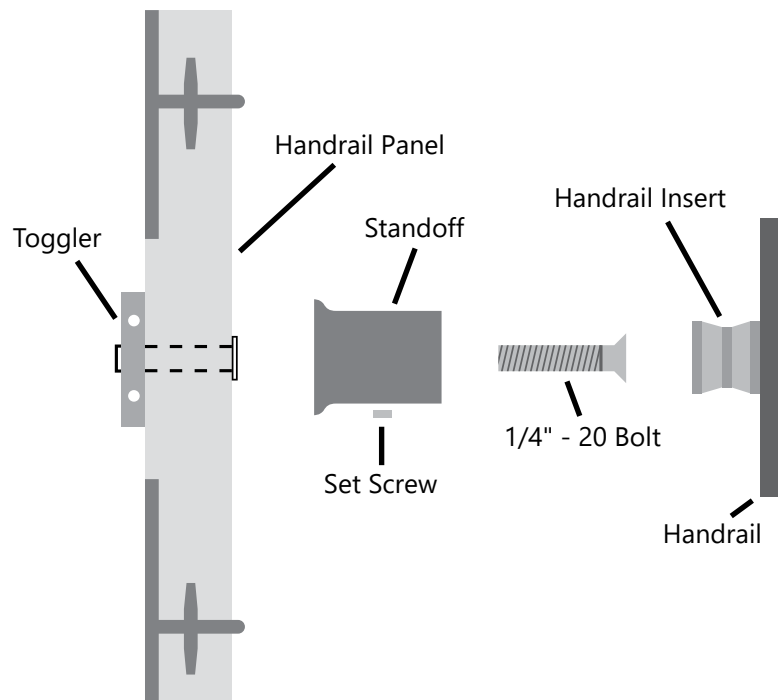
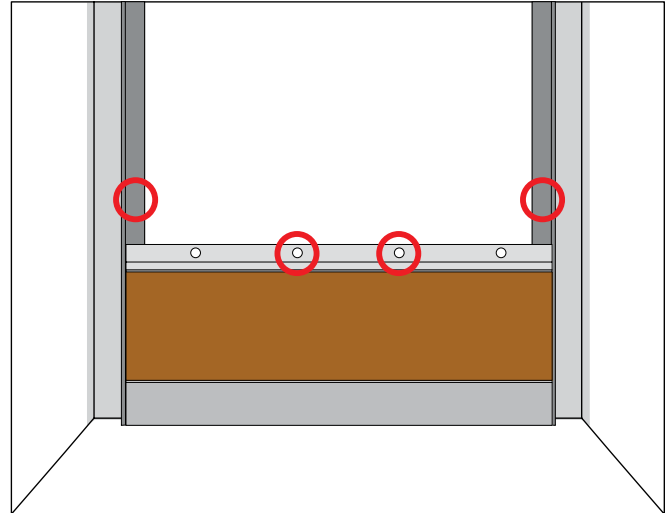
- Ⓐ Measure the width of each wall to mark the center point. Mark a line vertically at this point.
- Ⓑ Determine the center of the removable vented kickplate for the back wall and mark it.
- Ⓒ Align this mark with the center mark on the back wall and fasten the kickplate to the wall using the mounting holes located inside the vent holes.
- Ⓓ Mark the holes on the wall and remove the kickplate to drill the holes. Screw the kickplates to the shell using the tapping screws provided. Alternatively, you may drill directly through the vent holes and the mounting holes at the same time. Be sure to protect the face of the kickplate from damage that may be caused by the chuck of the drill.
- Ⓔ Install the half extrusion that is used as the starter strip for the rest of the panels. It will be pre-drilled with mounting holes. Place it centered on top of the kickplate. The half extrusion will be $\frac{1}{8}$ " shorter than the kickplate on each end.
- Ⓕ Secure the half extrusion to the shell with the screws provided. Leave the holes closest to each end of the extrusion empty for now.
- Ⓖ Repeat these steps for the side wall kickplates.
- ⚠ Confirm that all kickplates are the same height on all three non-access walls before installing panels.



- Ⓗ Insert panel edges so that the $\frac{1}{8}$ " rounded edge faces into the cab.
- Ⓘ Hold the panel edge tight against the end of the kickplate and screw or rivet the panel edge to the wall. Repeat at the other end of the kickplate.
- ⚠ In high use cabs, apply additional rivets close to the floor level through the panel edge.
- Ⓙ When edges align, fasten panel to wall using center screw holes in panel interlocks.
- Ⓚ Repeat for side panels and crown plates.
- ⚠ Check panel interlock for any debris from previous panel

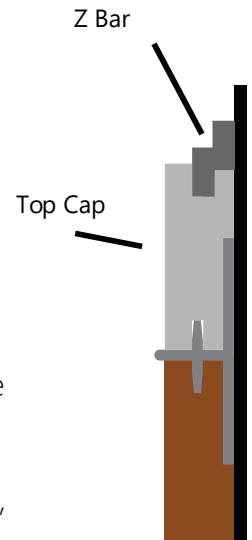
Section 4: Install Handrails

- Ⓐ Temporarily install the handrail panel to transfer the hole locations to the cab shell
- Ⓑ Remove the handrail panel and drill $\frac{1}{2}$ " holes into the cab shell as marked on the previous step.
- Ⓒ Re-install the handrail panel (the holes should line up)
- Ⓓ Insert and secure the provided togglers through the handrail panel and the shell.
- Ⓔ Place the flared end of the stainless steel standoff against the handrail panel, centered on the toggler. Fasten this to the wall and handrail panel with the $\frac{1}{4}$ "-20 bolts provided.
- Ⓕ Slide the inserts into the standoff (inserts are attached to the handrail).
- Ⓖ Secure the handrail to the standoff using the set screws provided.



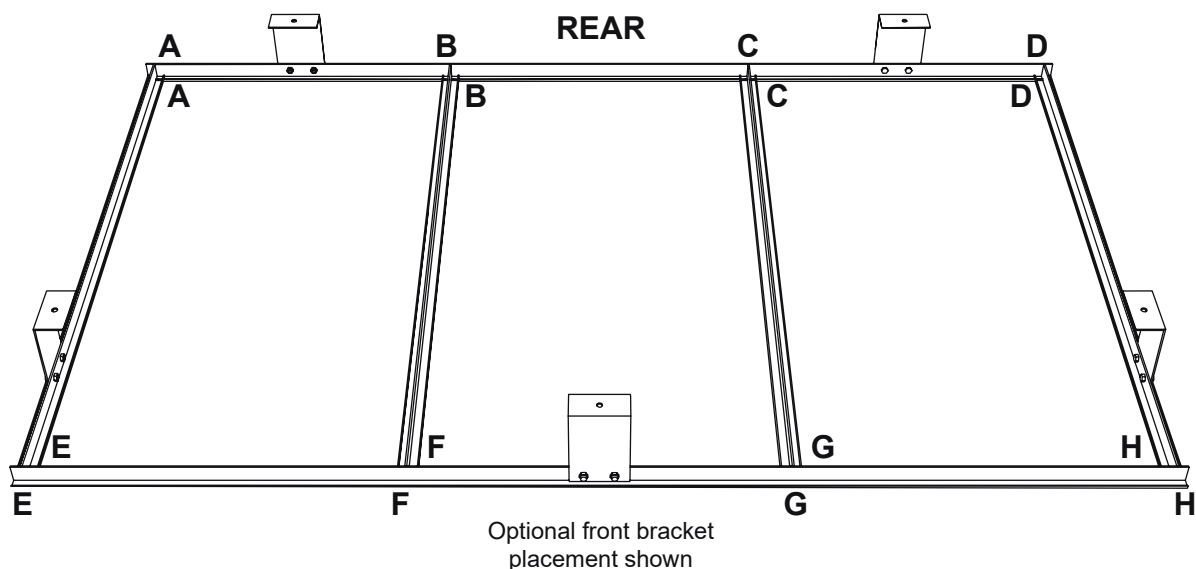
Section 5: Finishing A-Look™ Panel System Installation

- Ⓐ Install laminate panels using method described in Section 4. If mirrors were chosen for the back wall, locate the first mirror. Install this panel carefully into the previous panel interlock.
- Ⓑ Fasten the panel edge and the panel interlock to the wall using holes provided.
- Ⓒ Install remaining panels using above method.
- Ⓓ Finally, install panel cap. Insert bottom groove to the panel interlock, while the top groove connects with a Z bar. Once screwed to the cab shell, the Z bar firmly locks the panel cap into position.
- Ⓔ Locate the next panel needed for the side wall. Install with the same method as above, working your way up the wall and finishing with the panel cap.



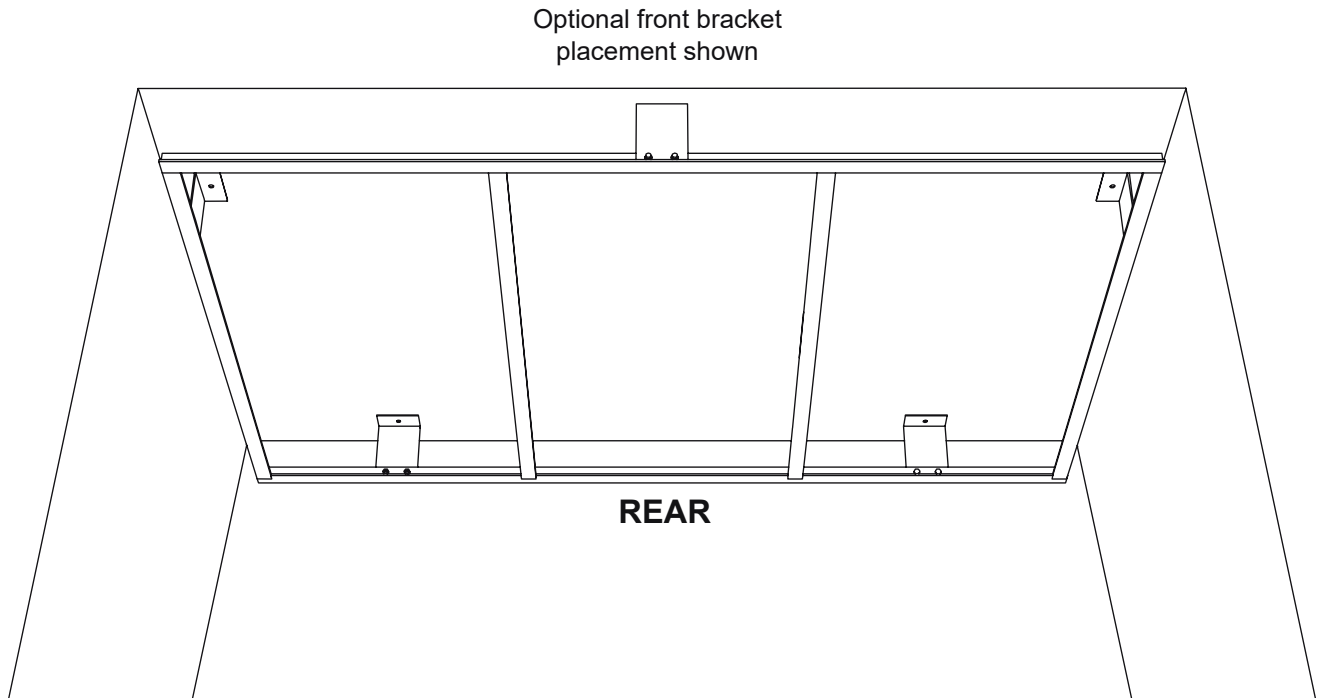
Section 6.1: Preparing for Ceiling Installation

- Ⓐ Assemble the false ceiling frame and mounting brackets.
 - Ⓑ Center the assembly on the canopy and mark the holes through the mounting brackets, avoiding any obstructions. A minimum of one bracket per side should be used (4 total).
 - Ⓒ Drill ½" diameter mounting holes into the canopy.
- ⚠ Assembly instructions for your specific ceiling will be provided with the package.



Section 6.2: Ceiling Frame Installation

- Ⓐ Fasten ceiling frame to the canopy using the provided 2" x 1/4-20 bolts, washers, lock washers, and nuts.
- Ⓑ Center the ceiling frame on the canopy prior to tightening the bolts. Trim any excess bolt protruding from the canopy. For added security apply Loctite™ to the nut/bolt assembly.



Need help with these instructions? Contact our technical support at:

(647) 925-4520
support@madelevator.com

