



The **Atoll** pushbutton is a stamped shot-peen stainless finish with LED illumination. The tactile symbol and perimeter illuminate on activation.

- ⦿ Studless Mounting
- ⦿ With or without tactile touch
- ⦿ Shot-peen anti-fingerprint stainless steel
- ⦿ White LED Illumination

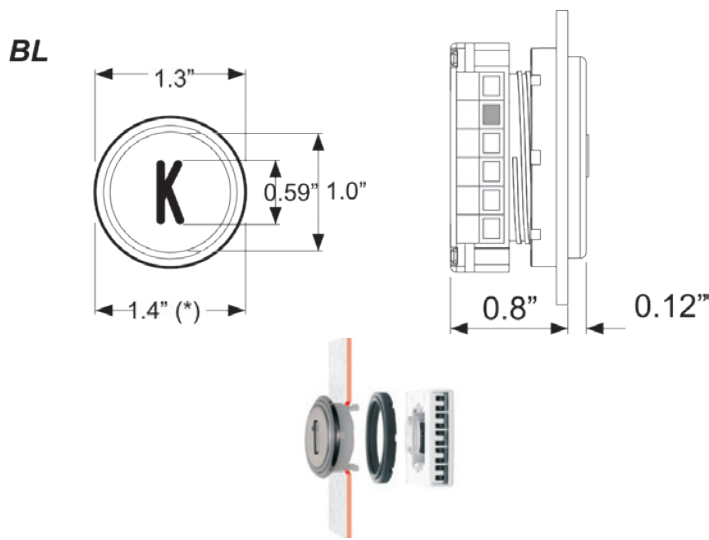


SS#4 COP shown with 7" Mosaic PI, Atoll pushbutton, Julius surface mount and surround, 2010 code with service cabinet

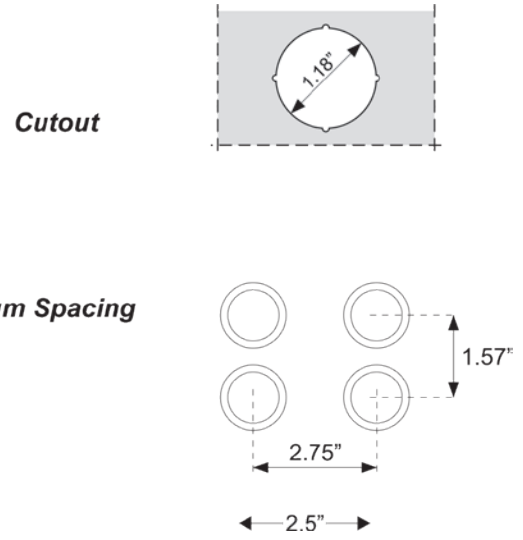
# General Details

- General:** Vandal Proof Studless Frontal Mounting Stainless Steel Pushbutton. Fastened by jam-nut on plates from 11 to 22 Gauge thick.
- Pressel:** AISI 303 turned Stainless Steel (standard or PVD-coated finishes) Pressel activation is limited by by Stainless Steel base in Pressel. This prevents any stress on contact block resulting in an extremely robust vandal-proof pushbutton.
- Contacts:** Available with one or two microswitch(es)
- Wiring:** Screw terminals or JST Pin Connector
- Illumination:** LED-illumination of target in Red, Green, Blue, White and Amber
- Stroke:** 0.040"
- Avg. Life:** 1,500,000 activations
- Degree of protection:** IP54

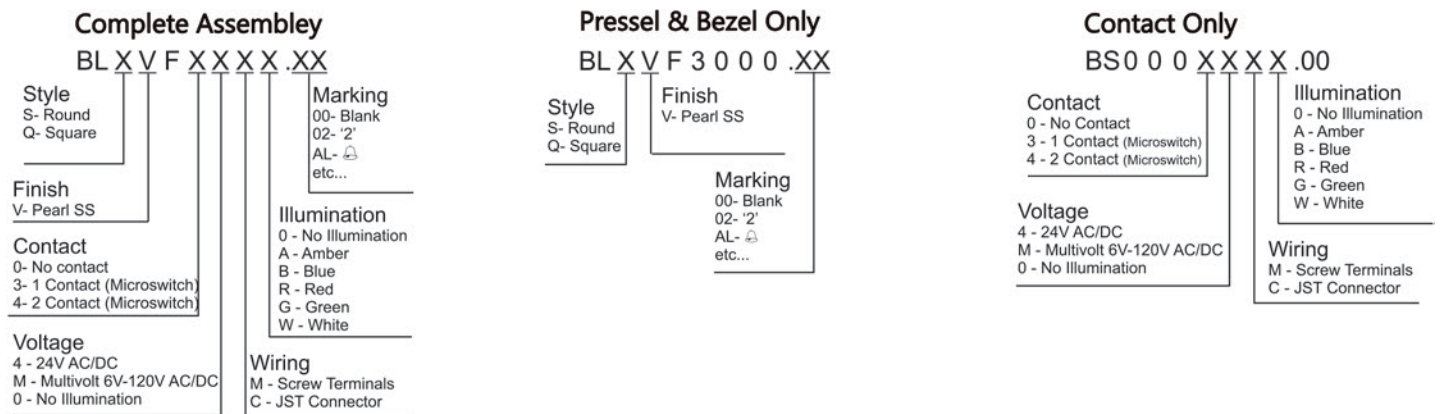
## Physical Characteristics



## Mounting Requirements



## Physical Characteristics



Please do not hesitate to contact us for any questions or concerns. Our technical support staff is ready to assist you with any issues you may have.

