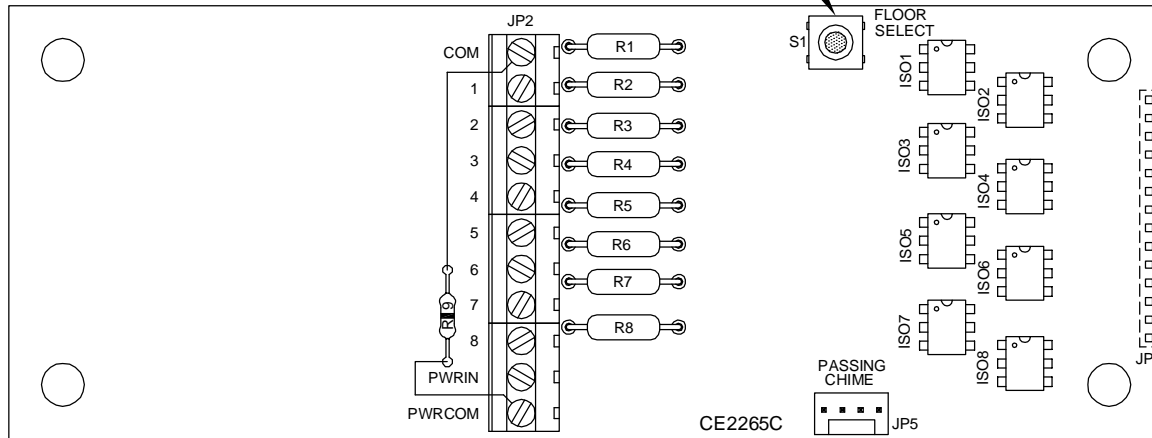


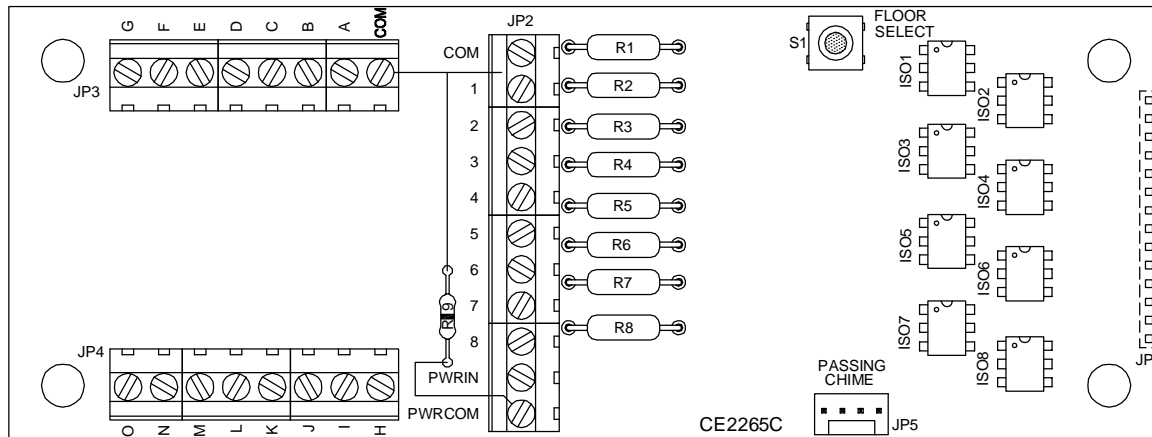
EURO DM DRIVER BOARD

JOB# _____

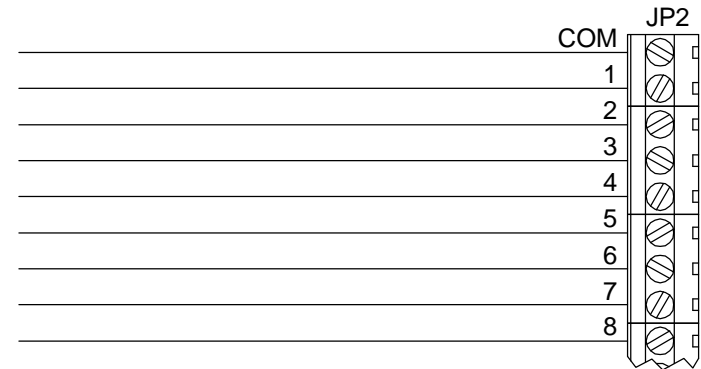
SEE THE DISPLAY DIAGRAM FOR INSTRUCTIONS ON USING FLOOR SELECT SWITCH S1. S1 ON THE DRIVER BOARD AND S2 ON THE DISPLAY BOARD SERVE THE SAME PURPOSE; USE EITHER ONE.



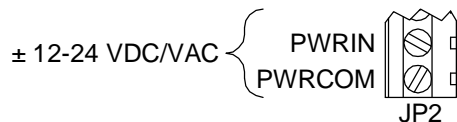
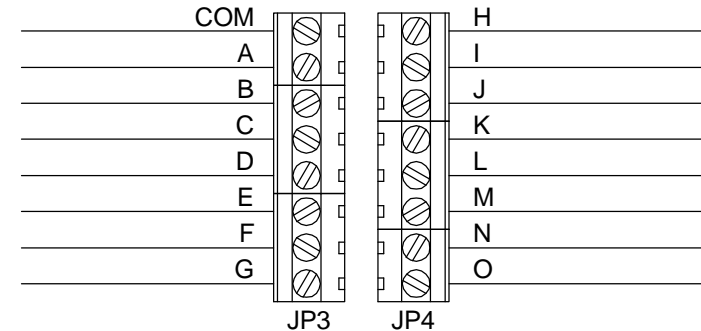
8-INPUT DRIVER BOARD



15-INPUT DRIVER BOARD



NOTE: THE COMMONS ON JP2 AND JP3 ARE TIED TOGETHER ON THE BOARD. ZERO OHM RESISTOR R9 IS USED TO TIE THE POWER COMMON TO THE FLOOR INPUT COMMON.



**SIGNAL
VOLTAGE**
(FROM CONTROLLER)

**SIGNAL
COMMON**

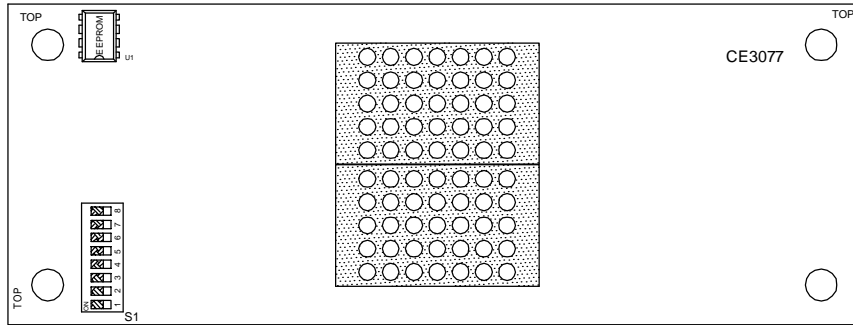
BOARD VERSION CE2265 ____

DATE DRAWN: 08/04/05	DRAWN BY: DAC	REQUESTED BY: DV	 C.E. ELECTRONICS, INC. 2107 Industrial Drive Bryan, Ohio 43506 (419) 636-8705
BOARD NUMBER: 2265	LAST DATE REVISED: 11/01/10	APPROVED BY:	
PRODUCT EURO DM DISCRETE DRIVER BOARD			
DWG. NO.: EURODM 04			REV: A

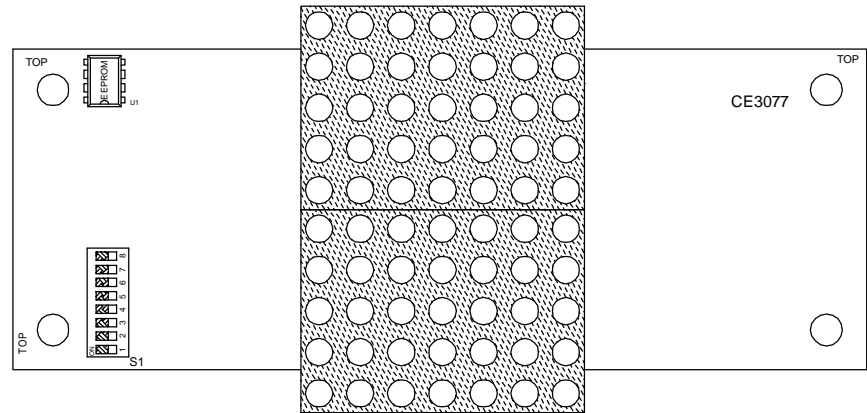
EURO DM TWO-CUBE DISPLAYS

JOB# _____

CE3077 DISPLAY BOARD



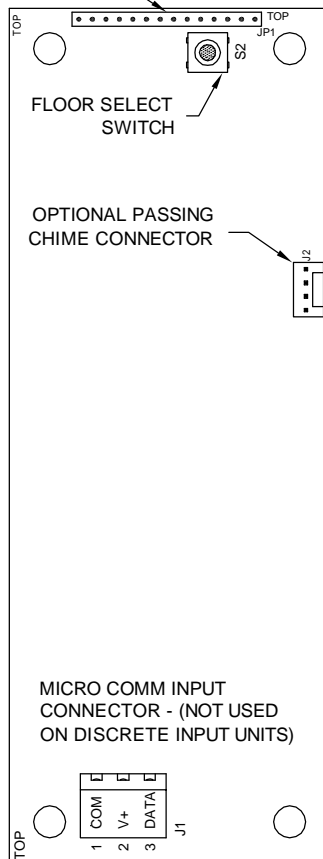
EH115



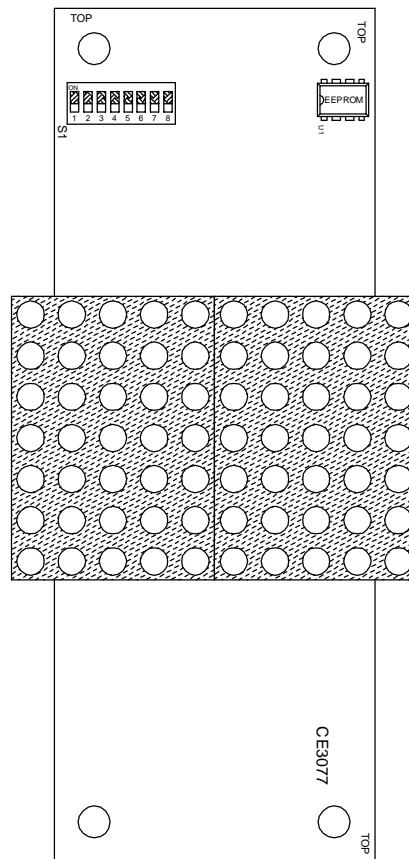
EH130

DRIVER BOARD CONNECTOR -
(NOT USED ON MICRO COMM UNITS)

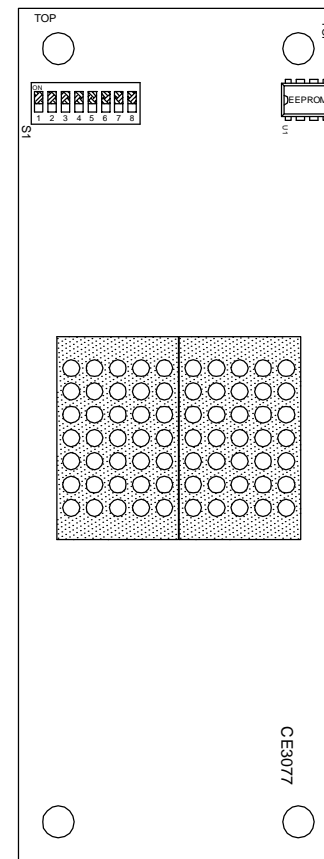
S2 FLOOR SELECT SWITCH -
SETS THE DISPLAY TO
SHOW AN ARRIVAL ARROW
WHEN THE CAR IS AT A
SPECIFIC FLOOR. TO SET
THE UNIT FOR ARRIVAL
MODE, POSITION THE CAR
AT THE DESIRED FLOOR OR
TURN ON SELF-TEST. WHEN
THE DISPLAY SHOWS THE
DESIRED FLOOR, PRESS
AND HOLD S2 UNTIL THE
FLOOR POSITION CHANGES
TO AN ARROW. TO RETURN
TO NORMAL OPERATION,
PRESS AND HOLD S2 UNTIL
THE ARROW CHANGES TO
THE FLOOR POSITION.



CE3077 BACK VIEW



EV220

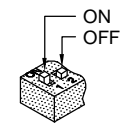


EV210

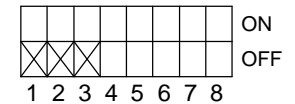
DIP SWITCH DETAIL



SELF-TEST
REDUNDANCY
FIRE - ALT BLANK
FIRE MAIN BLANK
UP/DN ROLL RATE
SIDE SCROLL RATE



DEFAULT SETTINGS



CODE VERSION _____

BOARD VERSION CE3077 ____

DATE DRAWN: 08/04/05	DRAWN BY: DAC	REQUESTED BY: DV	 C.E. ELECTRONICS, INC. 2107 Industrial Drive Bryan, Ohio 43506 (419) 636-8705
BOARD NUMBER: 3077	LAST DATE REVISED: -	APPROVED BY:	
PRODUCT EURO DOT MATRIX TWO-CUBE DISPLAYS			
DWG. NO. EUROMD 06 REV. -			