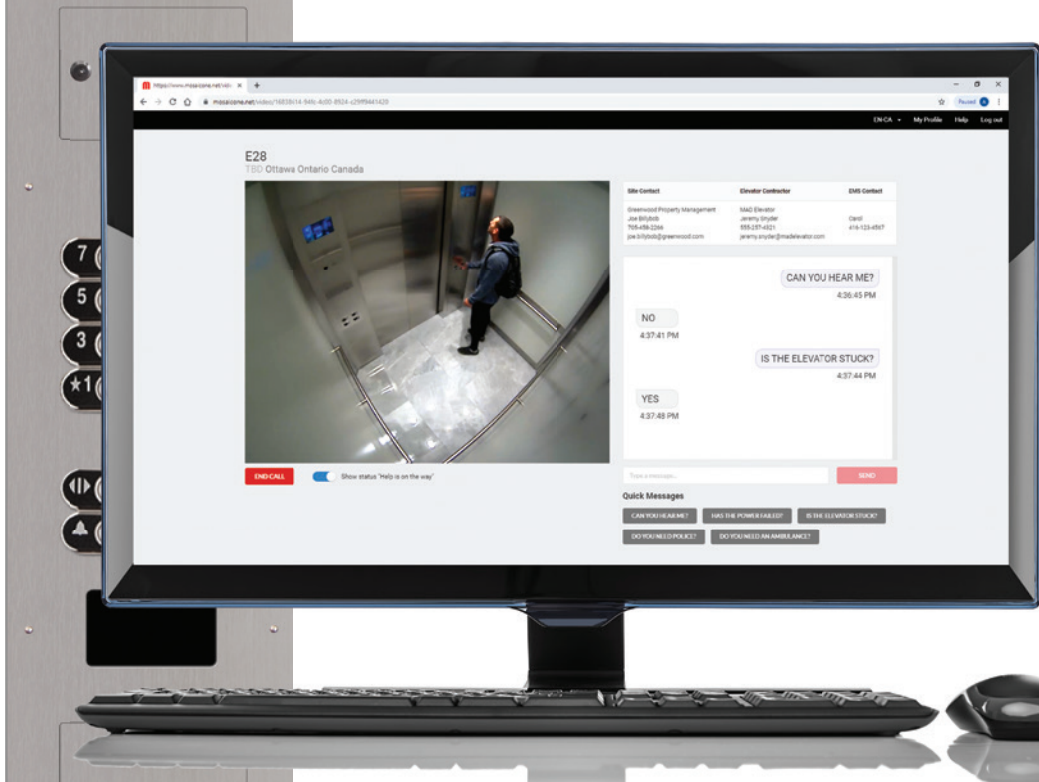
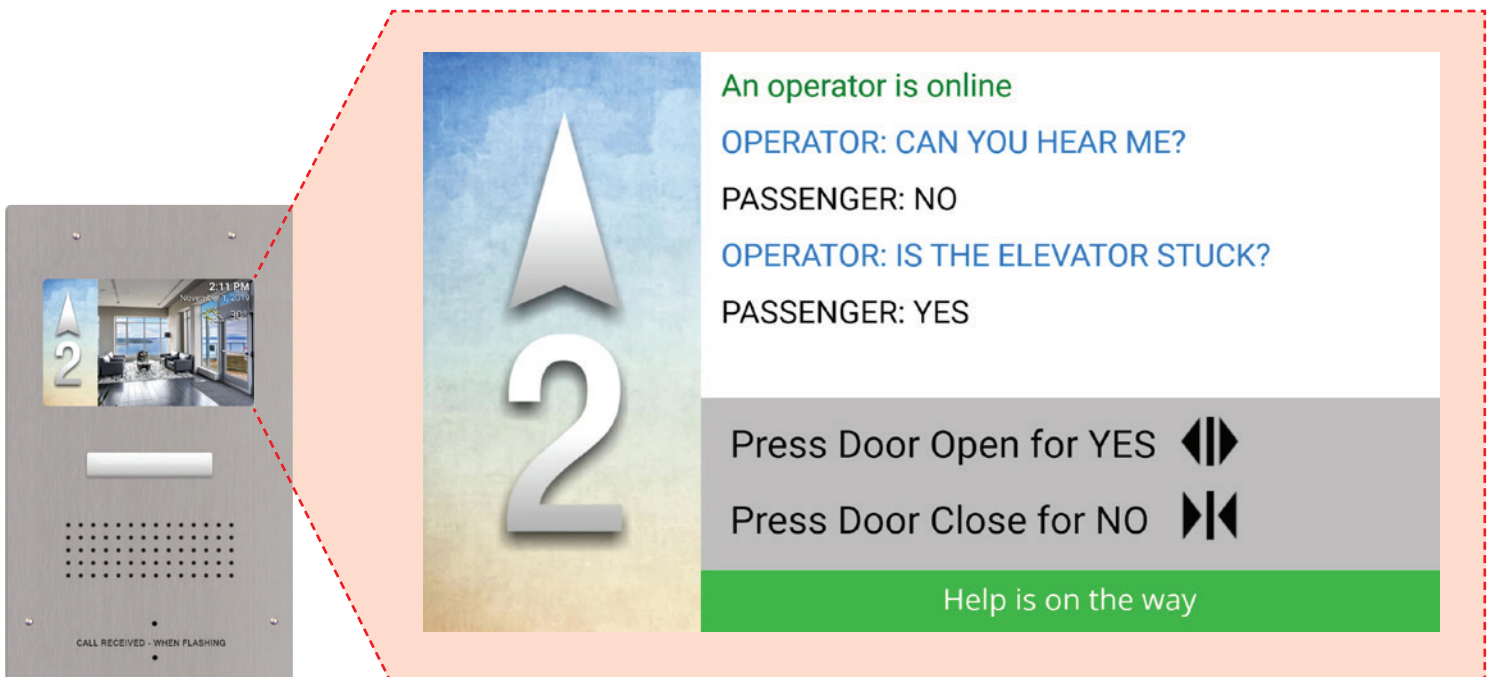


# MosaicONE

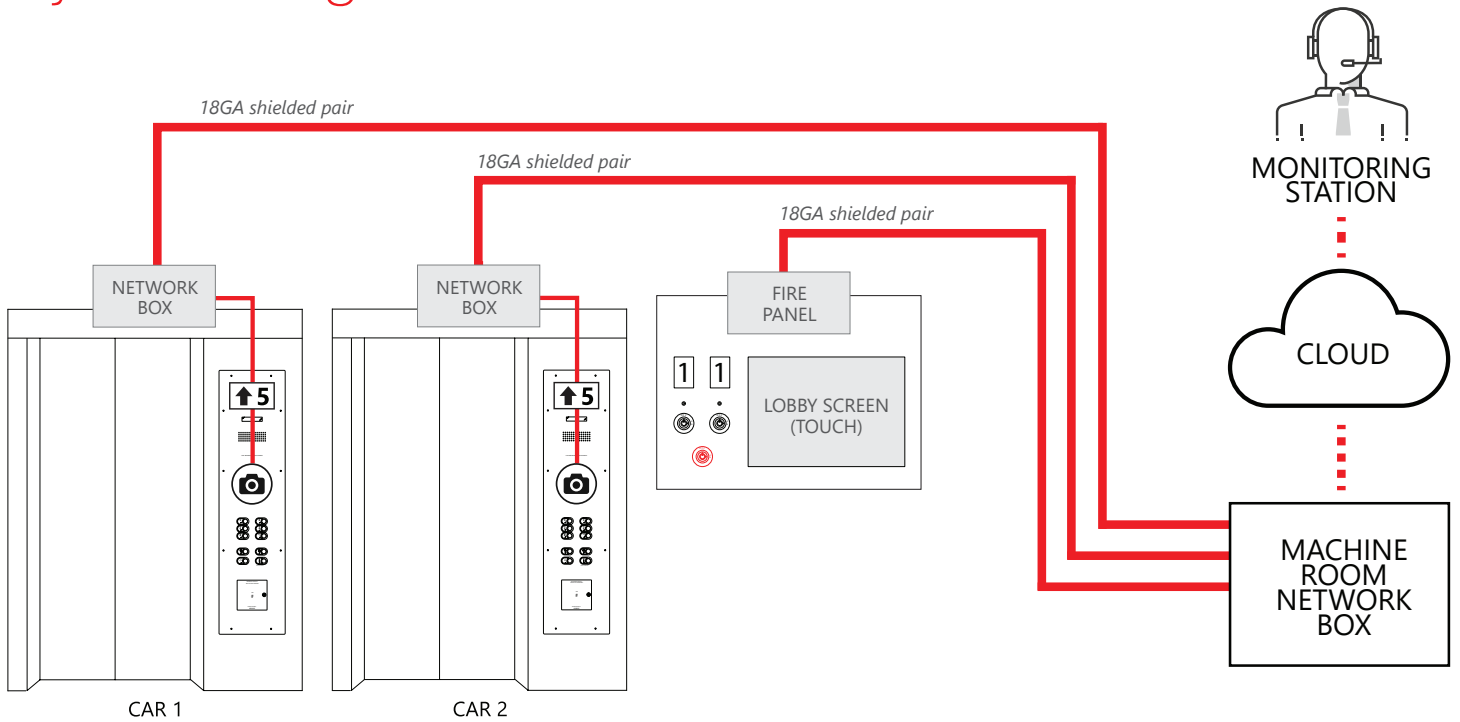
Video & Messaging System A17.1/B44 2019 Modified IBC Compliant

Introducing MosaicONE Video & Messaging System: designed to meet the requirements of A17.1/B44 2019 modified IBC code. This system provides secure live video access to the inside of the elevator from the a remote monitoring station or fire control panel. In conjunction with the two-way messaging system (for communication with passengers with hearing or speech disabilities), monitoring stations and emergency personnel can quickly and properly assess and address the situation.



- ✓ A17.1/B44 2019 code compliant
- ✓ Live video of elevator interior
- ✓ Real-time two-way messaging
- ✓ Works with any elevator phone
- ✓ Access system from lobby panel and any computer, anywhere
- ✓ End-to-end encryption
- ✓ Emergency broadcast enabled
- ✓ MosaicONE Digital Signage when not in use

# System Diagram



Requirement	Intent	MosaicONE Video & Messaging System
Two-way Audio	Passengers that can hear and speak communicate verbally with emergency personnel.	Met through traditional elevator phone system.
Message Display	If a passenger does not verbally respond (possibly speech impaired), emergency personnel can post a message on an in-car display.	Messages are posted in real-time on elevator position indicator screen via MosaicONE Cloud/LAN. Operator has ability to write any message or select from prewritten messages.
Message Response	Ability to respond back to emergency personnel. Passenger may be speech impaired.	Passengers can message "Yes" or "No" responses back to operator via the Door Open & Close pushbuttons.
One-way Video	Emergency personnel can see into the elevator to assess situation, including passengers that cannot respond.	Live encrypted video of elevator interior available to remote monitoring station and fire control panel.

Please do not hesitate to contact us for any questions or concerns. Our technical support staff is ready to assist you with any issues you may have.

☎ 1 (866) 967-8500

✉ support@madelevator.com

🌐 madelevator.com

