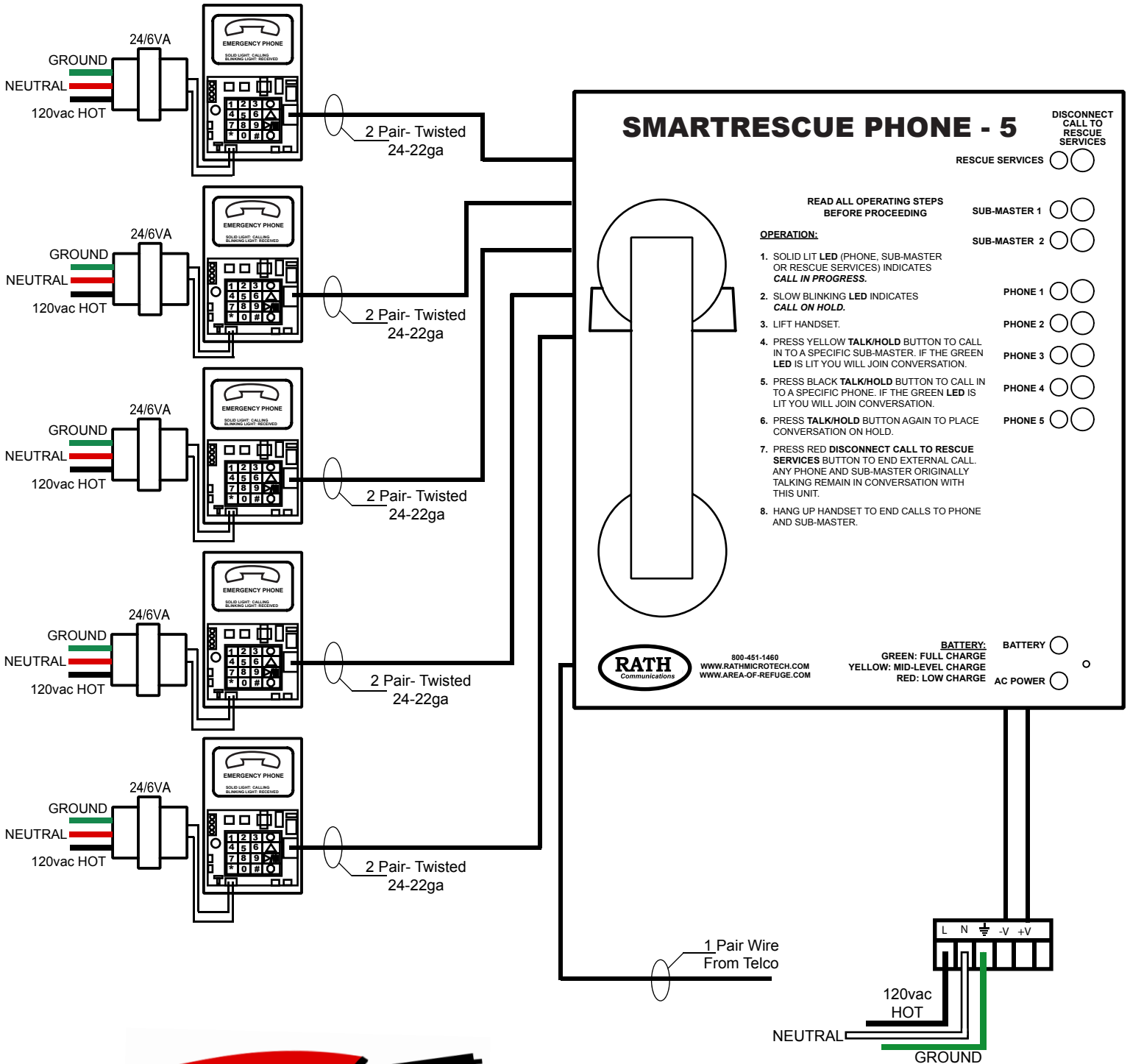




Wiring Diagram with Individual Transformers



SMARTRESCUE PHONE - 5

READ ALL OPERATING STEPS BEFORE PROCEEDING

OPERATION:

- SOLID LIT LED (PHONE, SUB-MASTER OR RESCUE SERVICES) INDICATES **CALL IN PROGRESS**.
- SLOW BLINKING LED INDICATES **CALL ON HOLD**.
- LIFT HANDSET.
- PRESS YELLOW **TALK/HOLD** BUTTON TO CALL IN TO A SPECIFIC SUB-MASTER. IF THE GREEN LED IS LIT YOU WILL JOIN CONVERSATION.
- PRESS BLACK **TALK/HOLD** BUTTON TO CALL IN TO A SPECIFIC PHONE. IF THE GREEN LED IS LIT YOU WILL JOIN CONVERSATION.
- PRESS **TALK/HOLD** BUTTON AGAIN TO PLACE CONVERSATION ON HOLD.
- PRESS RED **DISCONNECT CALL TO RESCUE SERVICES** BUTTON TO END EXTERNAL CALL. ANY PHONE AND SUB-MASTER ORIGINALLY TALKING REMAIN IN CONVERSATION WITH THIS UNIT.
- HANG UP HANDSET TO END CALLS TO PHONE AND SUB-MASTER.

- DISCONNECT CALL TO RESCUE SERVICES
- RESCUE SERVICES
- SUB-MASTER 1
- SUB-MASTER 2
- PHONE 1
- PHONE 2
- PHONE 3
- PHONE 4
- PHONE 5

RATH Communications
 800-451-1460
 WWW.RATHMICROTECH.COM
 WWW.AREA-OF-REFUGUE.COM

BATTERY: BATTERY
 GREEN: FULL CHARGE
 YELLOW: MID-LEVEL CHARGE
 RED: LOW CHARGE
 AC POWER

