



MAD Elevator Inc. – Interior Survey Form

Section 1: Project Information

Date: _____ Project Name: _____

Requested By: _____ Company Name: _____

Interior: Cab Interior Only Cab Interior & Fronts Shell: Solid Shell Rail & Style Open Shell Construction

Capacity (lbs): 2000 2500 3000 3500 4000 4500 5000 Other: _____

Installation: By Others By MAD

Number of Elevators: _____

Section 2: Cab & Layout Information

Cab Shell: Steel Wood Birdcage Other: _____

Type of Door Opening:

Type A Type B Type C Type D Type E Type F Other

Please sketch door entrances

Section 3: Cab Measurements

Please take all measurements at the job site. To ensure accuracy of measurements, please measure each cab.

	Cab 1	Cab 2	Cab 3
(A) Back Wall Width			
(B) Top Left Wall Width			
(C) Bottom Left Wall Width			
(D) Top Right Wall Width			
(E) Bottom Right Wall Width			
(F) Cab Height *			
(G) Escape Hatch Width			
(H) Escape Hatch Length			
(I) Left Wall to Escape Hatch			
(J) Back Wall to Escape Hatch			

* Cab Sill to Underside of Canopy

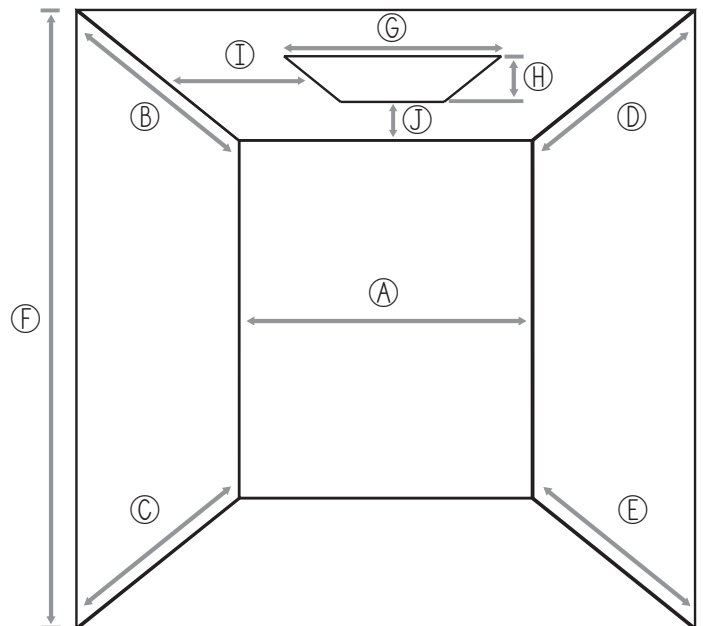
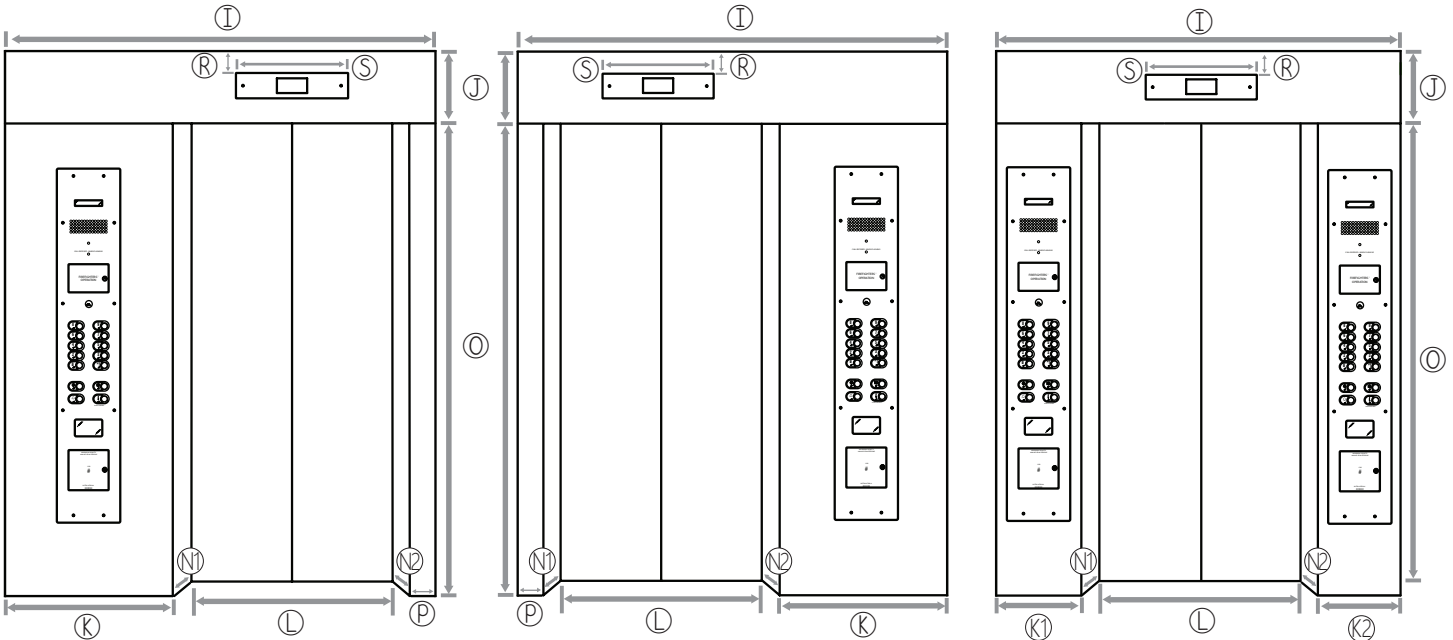


Diagram is based on facing cab interior from hallway.

If the ceiling is not being removed, additional measurements are required. Please contact your Sales representative.

Section 4: Front Measurements

Select the option that best represents the cab front (required even if front will not be provided).



Single Side (Right) Opening

Single Side (Left) Opening

Center Opening

	Cab 1	Cab 2	Cab 3
① Transom Width			
② Transom Height			
③ Return Wall Width (#1)			
④ Return Wall Width (#2)*			
⑤ Door Opening Width			

* Only Pertains to Center Opening

** From Cab Sill to Door Height

	Cab 1	Cab 2	Cab 3
⑥ Door Opening Width (#1)			
⑦ Door Opening Width (#2)			
⑧ Door Opening Height**			
⑨ Door Frame Width			
⑩ Height Above PI			
⑪ PI Width			

Section 5: Photos

Please send photos of the below to help us identify potential issues on site.

- Rear Corners: Left side top Left side bottom Right side top Right side top
- Front Corners: Left side top Left side bottom Right side top Right side top
- Posts: Left side top Left side bottom Right side top Right side top
- Other: Floor at Sill Ceiling at Hatch

Notes:

